

Round Tablets Bin

LDP Series



Round Tablets Bin

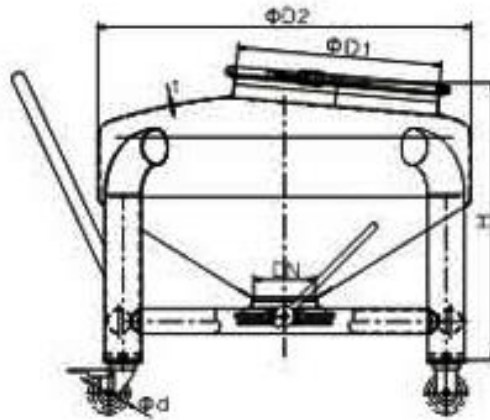
Tablets Storage, Transportation

LDP Series Pharmaceutical Bin is one of the most popular shifting containers used in the producing flow of solid dosage. Different processing crafts for solid materials can be operated in the same container. The frequent charging and discharging of materials are reduced thus avoiding the dust and cross pollution. It' s conformity with GMP requirements.



Features:

It's made of Austenitic stainless steel. All angles are cambered. There is no dead angle, no concave/convex face and no screw on the surface. The surfaces outside and inside are polished to high quality. Roughness degree inside is $Ra = 0.2 \mu m$, and outside is $Ra = 0.4 \mu m$. Applying sealing appliances made of silicon latex on the cover to gain a good airproof quality. Tailor-made butterfly valve with no dead angle, no remnant, and appliance against wrong way operation is easy to dismantle and clean.

Dimensions:

Parameters	Volume	Main structural dimensions				
	L	ØD1	ØD2	Ød	DN	H
LDP200	200	400	900	100	150	672
LDP300	300	400	900	100	150	738
LDP400	400	400	1200	100	150	858
LDP500	500	400	1200	100	150	959
LDP600	600	400	1200	100	150	1050

SaintyCo also offer:

Encapsulation Solutions

Tablet Compression Solutions

Coating Systems

Cartoning Systems

Blister Packing Solutions

